

Pressure gauge with diaphragm Industry version with or without filling

Nominal size ND 100 , 160
Accuracy class 1,6 and 2,5

according to DIN EN 837-3



Features

High resistance to overpressure
Robust stainless steel case
Highly suitable for extremely viscous or
crystallizing media

Applications

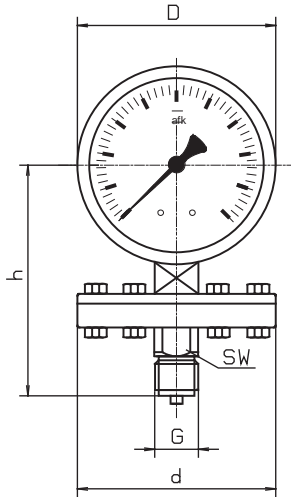
Food and beverage industries,
Mechanical engineering, plant and
apparatus construction

Version	with glycerine filling		
Model and ND	121.1.100. ...	121.1.160. ...	123.1.100. ... 123.1.160. ...
Connection	bottom		
Accuracy class	1,6, ranges under 600 mbar with filling only Kl. 2,5		
Ranges	in mbar 0...10, 16, 25, 40, 60, 100, 160, 250	0...40, 60, 100, 160, 250	
	in bar 0...0,4, 0,6, 1, 1,6, 2,5, 4, 6, 10, 16, 25		
	in bar -0,6 / 0, -1 / 0, -1 / +0,6, -1 / +1,5, -1 / +3, -1 / +5, -1 / +9, -1 / +15		
Application	Constant load full scale value Alternating load 0,9 x full scale value Overload protection 1,3 x full scale value short time		
Case	CrNi steel	Steel black	CrNi steel
Bezel	CrNi steel	Steel black	CrNi steel
Window	Glas lens		Laminated safety glass
Dial	Aluminium white, scale black		
Pointer	Aluminium, black		
Movement	Copper alloy ,bearing parts nickel silver		
Flangediameter	160 mm up to 250 mbar, 100 mm from 0,4 bar		
Measuring element	CrNi steel, from 2,5 bar Duratherm 600		
Lower flange	SW 22, Steel zincing		
Connection	G 1/2 B and DIN-flange DN 15, 20, 25 and 50, for all PN 40		
Protection	IP 54 according to EN 60529 / IEC 529		IP 54 according to EN 60529 / IEC 529
Temperatures	Medium: -20°C to 100°C, Ambient: -25°C to 60°C		

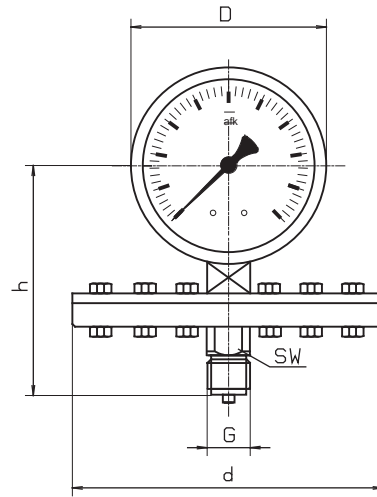
Model 121.1.100. ... = ND 100, dry; Model 121.1.100. ... = ND 100, glycerine filled
Model 121.1.160. ... = ND 160, dry; Model 123.1.160. ... = ND 160, glycerine filled

Dimensions

Flange 100 mm



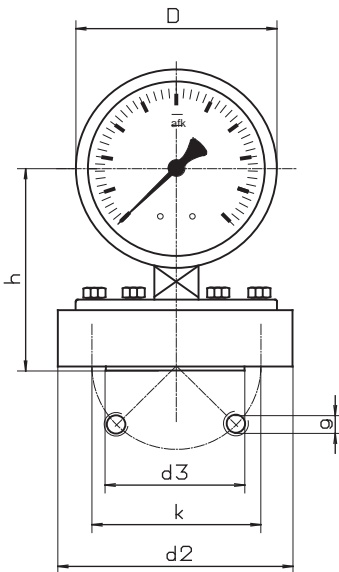
Flange 160 mm



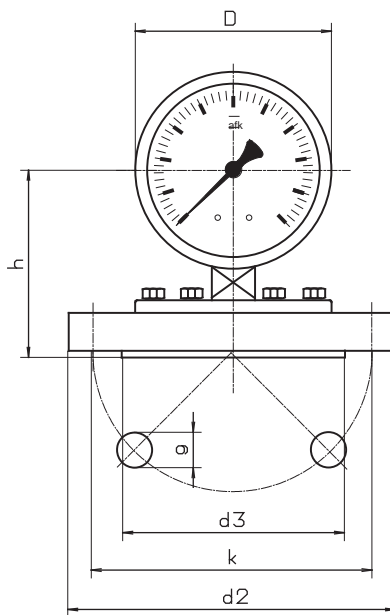
Flange according to DIN

Flange 100 mm

DN 25



DN 50



Flange 160 mm

DN 50

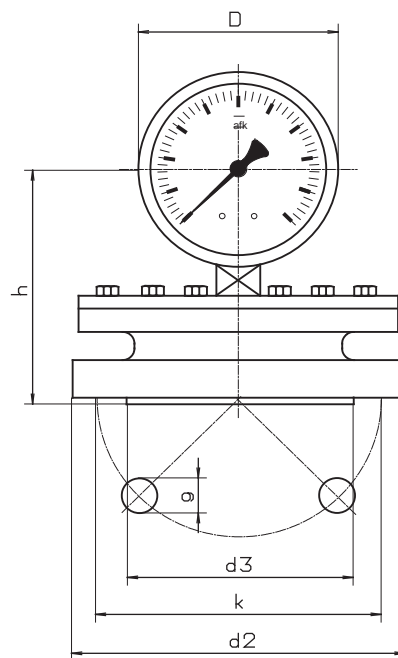


Table of dimensions for diaphragm pressure gauges

Dimensions for gauge with threaded connection with diaphragm flange 100 mm (from 600 mbar)

Type 121.1.xxx. with glycerine filling = Type 123.1.xxx. ...
Type 128.1.xxx. with glycerine filling = Type 328.1.xxx. ...

Type KMP-XX = Diaphragm pressure gauge with electric contact

Dimensions in mm										Weight	
Typ	NG	D	b	d		h		SW	G	dry	glyc.filled
121.1.100. ...	100	101	49	100		115		22	G 1/2 B	1,4 kg	1,8 kg
121.1.160. ...	160	160	51	100		145		22	G 1/2 B	1,9 kg	3,0 kg
128.1.100. ...	100	101	49	100		115		22	G 1/2 B	1,4 kg	1,8 kg
128.1.160. ...	160	160	51	100		145		22	G 1/2 B	1,9 kg	3,0 kg
Typ	NG	D	b	d	c	h	l	SW	G	dry	glyc.filled
KMP-20	100	101	49	100	88	115	88	22	G 1/2 B	1,6 kg	2,0 kg
KMP-20	160	160	51	100	107	145	120	22	G 1/2 B	2,2 kg	3,3 kg
KMP-30	100	101	49	100	88	115	88	22	G 1/2 B	1,6 kg	2,0 kg
KMP-30	160	160	51	100	107	145	120	22	G 1/2 B	2,2 kg	3,3 kg

Dimensions for gauge with threaded connection with diaphragm flange 160 mm (up to 400 mbar)

Type 121.1.xxx. with glycerine filling = Type 123.1.xxx. ...
Type 128.1.xxx. with glycerine filling = Type 328.1.xxx. ...

Type KMP-XX = Diaphragm pressure gauge with electric contact

Dimensions in mm										Weight	
Typ	NG	D	b	d		h		SW	G	dry	glyc.filled
121.1.100. ...	100	101	49	160		115		22	G 1/2 B	2,4 kg	2,8 kg
121.1.160. ...	160	160	51	160		145		22	G 1/2 B	2,9 kg	4,0 kg
128.1.100. ...	100	101	49	160		115		22	G 1/2 B	2,4 kg	2,8 kg
128.1.160. ...	160	160	51	160		145		22	G 1/2 B	2,9 kg	4,0 kg
Typ	NG	D	b	d	c	h	l	SW	G	dry	glyc.filled
KMP-20	100	101	49	160	88	115	88	22	G 1/2 B	2,6 kg	3,0 kg
KMP-20	160	160	51	160	107	145	120	22	G 1/2 B	3,2 kg	4,3 kg
KMP-30	100	101	49	160	88	115	88	22	G 1/2 B	2,6 kg	3,0 kg
KMP-30	160	160	51	160	107	145	120	22	G 1/2 B	3,2 kg	4,3 kg

Dimensions for gauge with DIN flange connection with diaphragm flange 100 mm (from 600 mbar)

Dimensions in mm								Weight	
DIN flange	d	d2	d3	h - NG 100	h - NG 160	k	g	NG 100	NG 160
DN 15	100	100	45	100	130	65	4 x M12	2,7 kg	3,2 kg
DN 20	100	105	58	100	130	75	4 x M12	2,7 kg	3,2 kg
DN 25	100	115	68	100	130	85	4 x M12	2,7 kg	3,2 kg
DN 50	100	165	102	92	92	125	4 x Dm. 18	3,2 kg	3,7 kg

Dimensions for gauge with DIN flange connection with diaphragm flange 160 mm (up to 400 mbar)

Dimensions in mm								Weight	
DIN flange	d	d2	d3	h - NG 100	h - NG 160	k	g	NG 100	NG 160
DN 15	160	100	45	120	150	65	4 x M12	4,7 kg	5,2 kg
DN 20	160	105	58	120	150	75	4 x M12	4,7 kg	5,2 kg
DN 25	160	115	68	120	150	85	4 x M12	4,7 kg	5,2 kg
DN 50	160	165	102	120	150	125	4 x Dm. 18	5,8 kg	6,3 kg