

ACCESSORY: Welding sleeves and sealing plugs

Rel. 20240323

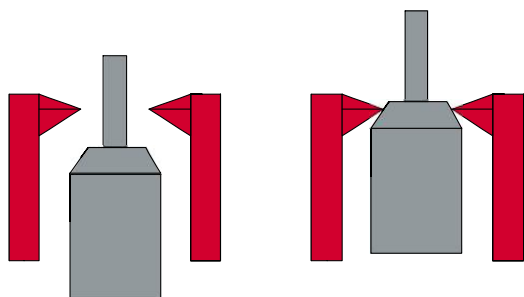
For:
LTS 150
LTS 450
LTS 490
LLS 150
LLS 250
LRP 150
LRP 250

Features

- Dead-space and elastomer free process adaption for temperature sensors LTS 150, LTS 450 and LTS 490 as well as level switches LLS 150, LLS 250 and level rod probes LRP 150, LRP 250, ...
- Hygienical compatible mounting in cases and pipelines in all areas of the food and pharma industry
- EHEDG and FDA conform
- Marking of PG-position by lasermarking at the sleeve
- Material 1.4404 (316L), other materials on request
- on request available with material certificates

Principle of function

- The taper at screw neck of sensors will be pushed to the seal face of welded sleeve while screwing into the thread. Due to this a metallic seal without further elastomere seals will be obtained.



Without connection (open)

With connection (closed)

Assembly advice

Important: Use only welded sleeves of DRUCK & TEMPERATUR Leitenberger, to reach a secure and optimal measuring point. Pay attention to the max. acceptable clamping torque at assembly.




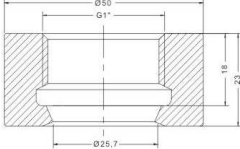
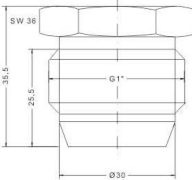
Welded sleeves and sealing plugs G1/2" (1/2" BSP) sealing system

G1/2"					
Designation	Modular welded sleeve	Cylindric welded sleeve without flange	Cylindric welded sleeve with neck	Sealing plug	Welded helping plug of brass (use only for weld in)
Type	KEM 150	ZEM 150	ZEM 151	VSS 150	ESH 150



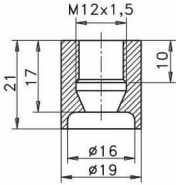
For:
LTS 150
LTS 450
LTS 490
LLS 150
LLS 250
LRP 150
LRP 250

ACCESSORY: Welding sleeves and sealing plugs

Welded sleeves and sealing plugs G 1" (1" BSP) sealing system

G1"			
			
Designation	Cylindric welded sleeve without neck	Sealing plug made of stainless steel	Welded helping plug of brass (use only for weld in)
Type	ZEM 950	VSS 950	ESH 950

Welded sleeves and sealing plugs M12 sealing system

M12				
				
Designation	Weld-in ball sleeve without flange	Cylindrical weld-in sleeve with flange	Cylindrical weld-in sleeve without flange	Sealing plug
Type	KEM 050	ZEM 050	ZEM 051	VSS 050

ACCESSORY: Welding sleeves and sealing plugs

For:
LTS 150
LTS 450
LTS 490
LLS 150
LLS 250
LRP 150
LRP 250

Adapter for transitions and welded sleeves of other producers

<p>Adapter sleeve</p>		
		
<p>Designation</p>	<p>Adapter for transition from 1" metallic sealing to 1/2" metallic sealing</p>	<p>Adapter from welded sleeve for liquphant (Endress & Hauser) to 1/2" metallic sealing</p>
<p>Type</p>	<p>AM 150/950</p>	<p>AM 150/Li</p>



For:
all LTS...
all LLS...
all LRP...

ACCESSORY: Connection cables

for all LTS, LLS and LRP probes

Features

- Connection cable with confectionated pin terminal M12
- 4-pole design
- Stainless steel union nut
- Material of cable PVC
- Different lengths of cable


Connection cable								
Designation	straight plug 4-pole	straight plug 4-pole	straight plug 4-pole	straight plug 4-pole	angled plug 4-pole	angled plug 4-pole	angled plug 4-pole	angled plug 4-pole
Type	7014-12221-2140150	7014-12221-2140300	7014-12221-2140500	7014-12221-2141000	7014-12341-2140150	7014-12341-2140300	7014-12341-2140500	7014-12341-2141000
Dimensions	1.5 m cable length	3 m cable length	5 m cable length	10 m cable length	1.5 m cable length	3 m cable length	5 m cable length	10 m cable length

ACCESSORY: Plugs / connection assemblies

for all LTS, LLS and LRP probes

Features

- Flange connection assembly M12
- 4-pole design
- Material: stainless steel

Plugs/ connection assembly	
Designation	Flange connection assembly 4-pole
Type	FB-FS4-0,5
Dimensions	Strands length 7.2 cm

ACCESSORY: Process adaption

For:
LTS 150
LTS 450
LTS 490
LLS 150
LLS 250
LRP 150
LRP 250

Features

- Dead-space and elastomer free process adaption for temperature sensors LTS 150, LTS 450 and LTS 490 as well as for level switches LLS 150 and LLS 250, level rod probes LRP 150 and LRP 250
- Modular process connection system
- Hygienical compatible mounting in cases and pipelines in all areas of the food and pharma industry
- EHEDG and FDA conform
- Material 1.4404 (316L), other materials on request
- On request available with material certificates

Assembly advice

Important: Use only welded sleeves of DRUCK & TEMPERATUR Leitenberger, to reach a secure and optimal measuring point. Pay attention to the max. acceptable clamping torque at assembly.

Process connection for G1/2" (1/2" BSP) sealing system

G 1/2						
Designation	Milk pipe screwing (box nut see MRU...)	Milk pipe screwing box nut DIN11851	Adapter sleeve Varivent DN 50	DRD-flange (proof disk see DRA 150/950)	DRD-flange proof disk	DRD-flange flat gasket
Type	MRV 150	MRÜ 150/950	VAV 150	DRD 150	DRA 150/950	DRF 150/950
Dimensions	Ø DN25 Ø DN32 Ø DN40 Ø DN50 Ø DN65 Ø DN80	Ø DN25 Ø DN32 Ø DN40 Ø DN50 Ø DN65 Ø DN80	Ø DN50	Ø DN65		

Process connection for G1" (1" BSP) sealing system

G 1						
Designation	Milk pipe screwing (box nut see MRU...)	Milk pipe screwing box nut DIN11851	Adapter sleeve Varivent DN 50	DRD-flange (proof disk see DRA 150/950)	DRD-flange proof disk	DRD-flange flat gasket
Type	MRV 950	MRÜ 150/950	VAV 950	DRD 950	DRA 150/950	DRF 150/950
Dimensions	Ø DN40 Ø DN50 Ø DN65 Ø DN80	Ø DN40 Ø DN50 Ø DN65 Ø DN80	Ø DN50	Ø DN65		

For:
LTS 430

ACCESSORY: Clamp screw fittings for LTS 430


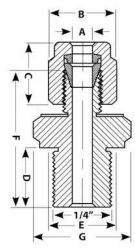
Features

- Clamp screw fittings for assembly of resistance thermometers LTS 430...) or thermocouples
- Material 1.4401 or 1.4404/316L
- Different integral threads
- Different sensor diameters
- Different clamp rings (material) respectively cutting rings
- Hygienic assembly possible with bullet clamp bolting

Assembly advice

Important: Use only welded sleeves of DRUCK & TEMPERATUR Leitenberger, to reach a secure and optimal measuring point.
 Pay attention to the max. acceptable clamping torque at assembly

Clamp screw fittings with G1/4" (1/4" BSP) screw-in threads

G 1/4"														
														
Designation	Screw-in thread for sensor screw connection of stainless steel 1.4401													
Type	KVS6T-1/4							KVS6E-1/4						
Sensor	6 mm							6 mm						
Clamp ring	Teflon							Stainless steel 1.4401						
Dimensions (mm)	A	B	C	D	E	F	G	A	B	C	D	E	F	G
	6.0	14.2	12.7	11.2	18.2	30.5	19.1	6.0	14.2	12.7	11.2	18.2	30.5	19.1

ACCESSORY: Clamp screw fittings for LTS 430

Clamp screw fittings with G3/8" (3/8" BSP) screw-in threads

G 3/8"														
	<p>Designation Screw-in thread for sensor screw connection of stainless steel 1.4401</p>													
Type	KVS6T-3/8			KVS6E-3/8				KVS9T-3/8			KVS9E-3/8			
Sensor	6 mm			6 mm				9 mm			9 mm			
Clamp ring	Teflon			Stainless steel 1.4401				Teflon			Stainless steel 1.4401			
Dimensions (mm)	A	B	C	D	E	F	G	A	B	C	D	E	F	G
	6.0	14.2	12.7	11.1	21.7	31.4	22.2	9.0	19.0	16.0	15.0	18.2	30.5	29.1.

Clamp screw fittings with G1/2" (1/2" BSP) screw-in threads

G 1/2"														
	<p>Designation Screw-in thread for sensor screw connection of stainless steel 1.4401</p>													
Type	KVS6T-1/2			KVS6E-1/2				KVS9T-1/2			KVS9E-1/2			
Sensor	6 mm			6 mm				9 mm			9 mm			
Clamp ring	Teflon			Stainless steel 1.4401				Teflon			Stainless steel 1.4401			
Dimensions (mm)	A	B	C	D	E	F	G	A	B	C	D	E	F	G
	6.0	14.2	12.7	14.2	25.8	37.5	27.0	9.0	17.5	14.2	14.2	25.8	38.7	27.0

For:
LTS 430

ACCESSORY: Clamp screw fittings for LTS 430

Bullet clamp boltings

<p>Bullet clamp bolting</p>	
<p>Designation</p>	<p>Bullet clamp bolting for sensor screw connection and locknut of stainless steel 1.4404</p>
<p>Type</p>	<p>KKVS-6P</p>
<p>Sensor</p>	<p>6 mm</p>
<p>Clamp ring</p>	<p>PEEK</p>

ACCESSORY: Immersion pockets for LTS 430

Features

- Immersion pockets for temperature sensor LTS 430
- Installation in tanks and pipelines
- Material stainless steel
- Various screw threads
- Various sensor diameters
- Various lengths (other lengths on customer request)

Immersion pockets

Immersion pocket						
Designation	Welding immersion pocket with compression fittings PEEK stainless steel 1.4404		Screw-in immersion pocket G 1/2" stainless steel 1.4401		Screw-in immersion pocket G1/2" with compression fittings Teflon or stainless steel 1.4401	
Type	ESTHK		THVA		THVA-KVS	
Dimensions	Installation length: 50 mm 100 mm 150 mm 200 mm 250 mm 300 mm	Sensor element: 80 mm 130 mm 180 mm 230 mm 280 mm 330 mm	Installation length: 50 mm 100 mm 150 mm 200 mm 250 mm 300 mm	Sensor element: 80 mm 130 mm 180 mm 230 mm 280 mm 330 mm	Installation length: 50 mm 100 mm 150 mm 200 mm 250 mm 300 mm	Sensor element: 80 mm 130 mm 180 mm 230 mm 280 mm 330 mm